

13AP606H790 LT-946G (2006)
Deck Assembly

Page 2 of 22

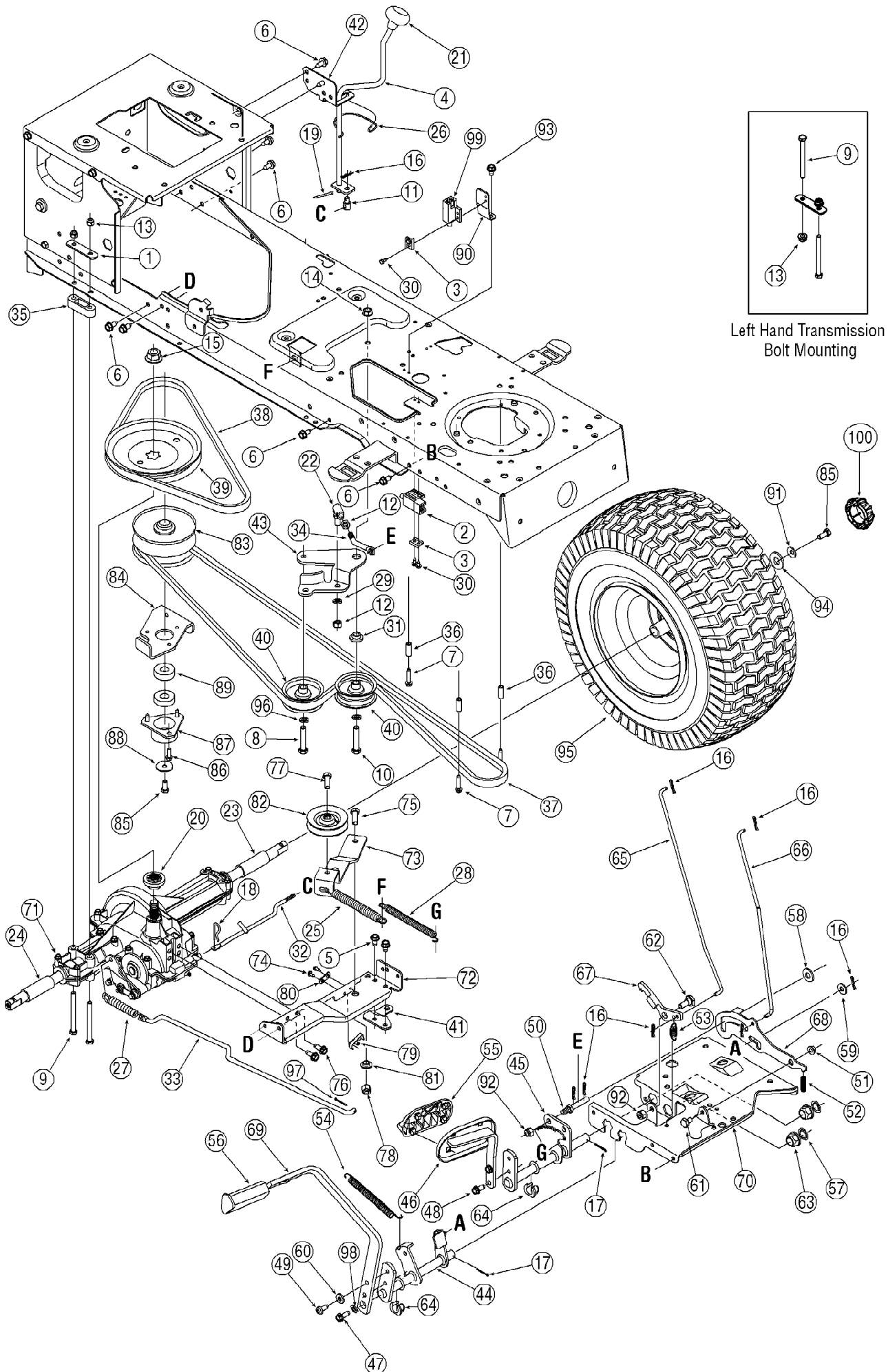
Ref #	Part Number	Qty	S/P/F	Description
1	17116	1	S	Brake Assembly, Deck
2	17258D	1	/P	RH Belt Cover, Deck 46"
3	618-0240A	1	S	Spindle Assembly, 5.00 Dia.
3	17983	1		Bearing Shield Not shown
3	619-0042A	1	/P	Spindle Housing Not shown
3	712-0417A	1	/P	Flange Nut:5/8-18 Not shown
3	738-0927	1		Spindle Shaft:4.450 LG. Not shown
3	941-0919	1	/P	Ball Bearing:20x47x14:62 Not shown
3	748-0434	1		Spacer:.750 x 1.150 x .230 Not shown
3	750-0952	1		Spacer:.792 x 1.060 x 1.800 Not shown
3	756-1187	1		Deck Pulley:5.00 Dia Not shown
4	618-04134B	1	S	Spindle Ass'y, Double Pulley
4	17983	1		Bearing Shield Not shown
4	619-0042A	1	/P	Spindle Housing Not shown
4	712-0417A	1	/P	Flange Nut:5/8-18 Not shown
4	736-0315	1	/P	Flat Washer:.760 x 1.50 X .120 Not shown
4	938-1128	1	/P	Spindle Shaft:6.58 LG. Not shown
4	941-0919	1	/P	Ball Bearing:20x47x14:62 Not shown
4	750-04440	1		Spacer:.792 x 1.060 x 1.680 Not shown
4	750-0952	1		Spacer:.792 x 1.060 x 1.800 Not shown
4	750-1304	1		Spacer:.792 x 1.060 x .400 Not shown
4	756-04094	1		Deck Pulley:5.00 Dia x .80 Not shown
4	756-1188	1		Deck Pulley:5.75 Dia Not shown
5	683-0254B	1	/P	Hanger Bracket Assembly
6	683-04104A	1	S	Deck Weldment
7	710-0520	1	/P	Screw, 3/8-16, 1.50, Gr5
8	710-0514	1	/P	Screw, 3/8-16, 1.00, Gr5
9	710-0528	1	/P	Screw, 5/16-18, 1.25, Gr5
10	710-0599	1	/P	Screw, 1/4-20, 0.500
11	710-3015	1	/P	Screw, 1/4-20, .75, Gr5
12	710-0778	1	/P	Screw, 1/4-20, 1.500
13	710-0805	1	/P	Screw, 5/16-18, 1.50, Gr5
14	710-1260A	1	/P	Screw, Ld, 5/16-18, 0.750
15	710-3180	1	/P	Screw, 5/16-18, 1.75, Gr5
16	711-04069	1	S	Pin, Grasscatcher, 1/4-20
17	711-0993	1	S	Belt Guard Pin 1/4 Dia x 1.43
18	711-1554	1		Pin, 1/4-20, 3/8 x 2.0
19	712-0206	1	S	Nut, Hex, 1/2-13, Gr5
20	712-04063	1	/P	Nut, Flange Lock, 5/16-18, GrF
21	712-04064	1	/P	Nut, Flange Lock, 1/4-20, GrF
22	712-04065	1	/P	Nut, Flange Lock, 3/8-16, GrF
23	712-0417A	1	/P	Nut, Flange, 5/8-18
24	712-0431	1	S	Nut, Flange Lock, 3/8-16, GrF
25	712-0641	1	S	Nut, Hex, M16-1.5
26	712-3006	1	/P	Nut, Hex, 1/4-20, Gr5
27	712-3010	1	S	Nut, Hex, 5/16-18, Gr5
28	712-3083	1	/P	Nut, Hex Lock, 1/2-13, Gr8, Nylon
29	714-0470	1	S	Pin, Cot, 1/8 x 1.25
30	717-04074	1	S	Adjustment Gear, Deck
31	726-0233	1	/P	Nut, Push, .25 ID x .50
32	732-0306A	1	S	Sprg, Compress, .531 OD x 1.75
33	732-0429A	1	S	Spring, Extension, .50 Dia
34	732-0594A	1	S	Spring, Extension, .91 Dia

13AP606H790 LT-946G (2006)
Deck Assembly

Page 3 of 22

Ref #	Part Number	Qty	S/P/F	Description
35	732-04197	1	/P	Spring, Extension, .68 Dia
36	734-0973	1	/P	Wheel, Deck 5.0 x 1.38
37	736-0119	1	S	Washer, Lock, 5/16
38	736-0760	1	S	Washer, Lock
39	736-0270	1	/P	Washer, Bell, .265 x.75 x .062
40	736-0418A	1	/P	Washer, Flat, .34 x 2.25 .10
41	737-04003C	1	S	Water Deck Nozzle
42	731-1032B	1	S	Chute Assembly
43	738-0347	1	S	Spacer, Shoulder, .625 ID
44	738-0373	1	S	Spacer, Shoulder, .498 x 1.53
45	721-04041	1	S	Water Nozzle Adapter
46	742-0611A	1	S	Blade, 16.28", Star 3-in-One
47	742-0612A	1	S	Blade, 14.88", Star 3-in-One
48	746-1107	1		Cable, 12.00"
49	747-1116	1	/P	Rod, Deck Release
50	747-1130B	1	/P	Rod, Deck
51	748-0234	1	/P	Shoulder Spacer
52	750-0566A	1	/P	Spacer, .260 x .372 x 1.030
53	750-1320	1		Spacer, .375 x .63 x .595
54	754-0349	1	S	Belt, V-Type, Poly
56	756-04129	1	S	Pulley, Idler, 4.25" Dia.
57	783-1348B	1	S	Belt Cover, LH
58	783-0141	1		Deck Skirt, Center
59	783-0142	1	S	Deck Skirt, RH
60	783-04641	1	S	Bracket, Idler
61	731-05264	1		Mulch Plug
62	712-3087	1	/P	Wing Nut
63	710-0134	1	/P	Carriage Screw, 1/4-20 x .62

13AP606H790 LT-946G (2006)
Drive and Rear Wheels



13AP606H790 LT-946G (2006)
Drive and Rear Wheels

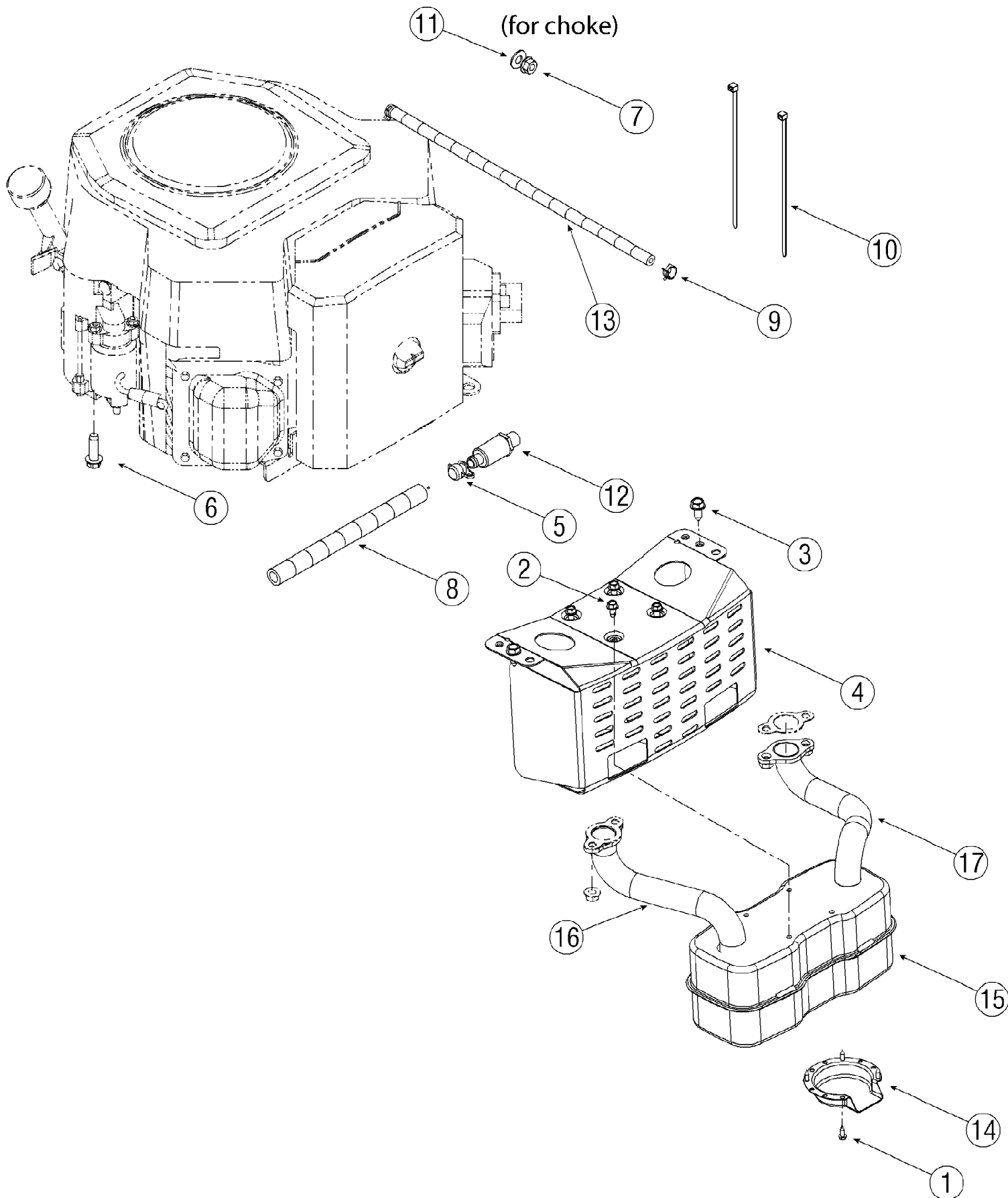
Page 5 of 22

Ref #	Part Number	Qty	S/P/F	Description
1	17840	1	S	Mounting Bracket, Transaxle
2	725-04039	1	S	Switch, Interlock
3	17962	1		Plate, Switch
4	647-04020	1		Lever Assembly, Shift
5	710-0607	1	/P	Screw, 5/16-18, 0.500
6	710-0726	1	/P	Screw, 5/16-12, 0.750
7	710-0809	1		Screw, 1/4-20, 1.250
8	710-1007	1	/P	Screw, Sems, 3/8-16, 1.500
9	710-1266	1	/P	Screw, 5/16-18, 3.50, Gr5
10	710-3144	1	/P	Screw, 3/8-16, 2.00, Gr5
11	711-0736	1	/P	Adjustment Ferrule 1/4-20 x 1.
12	712-0241	1	/P	Nut, Hex, 3/8-24, Gr5
13	712-04063	1	/P	Nut, Flange Lock, 5/16-18, GrF
14	712-0431	1	S	Nut, Flange Lock, 3/8-16, GrF
15	712-0700	1	/P	Nut, Flange, 9/16-18, Gr2
16	714-0104	1	S	Pin, Cotter,.072 Dia. x 1.13
17	714-0111	1	S	Pin, Cotter, 3/32, 1.0
18	714-0209	1	S	Cotter Pin, Internal,.125 Dia.
19	714-0470	1	S	Pin, Cotter, 1/8 x 1.25
20	718-0758A	1	S	Pulley Hub, 5/8 Spline
21	720-04028	1		Knob, Shift
22	723-3018	1	S	Ball Joint
23	731-04602	1		Sleeve,.758 x.821 x 3.3125
24	731-04604	1		Sleeve,.758 x.821 x 2.4375
25	732-0384	1	S	Spring, Extension,.62 Dia x 6.12
26	732-0525	1		Spring Clip, Shifter
27	732-0716	1	S	Spring, Extension,.59 OD x 4.00
28	732-0963	1		Spring, Extension,.50 Dia x 6.37
29	736-0169	1	S	Washer, Lock, 3/8
30	710-0224	1	S	Screw, #10-16,.50
31	738-0372B	1	/P	Spacer, Shoulder, 1.00 x.38 x.38
32	747-04146A	1	S	Rod, Shift
33	747-04164	1		Rod, Brake
34	747-1127	1		Idler Rod, Adjustable, 3/8
35	748-0334	1	S	Spacer,.68
36	750-0566A	1	/P	Spacer,.260 x.372 x 1.030
37	754-0467	1	S	Belt, V-Type
38	754-0468	1	S	Belt, V-Type
39	756-04002	1	S	Pulley, V-Type, 7.25 Dia.
40	756-04224	1	/P	Idler Pulley, Flat 2.75 OD
41	783-04283	1		Bracket, Shift
42	783-04360	1		Bracket, Shift, F-N-R
43	783-04442	1		Idler Bracket, Center Double
44	647-0031B	1	S	Control Assembly, Brake
45	647-0032A	1	S	Control Assembly, Speed
46	683-0266	1		Pedal Assembly
47	710-0650	1	/P	Screw, 5/16-18, 0.875
48	710-1260A	1	/P	Screw,5/16-18, 0.750
49	710-1611B	1	/P	Screw, 5/16-18, 0.750
50	711-04159B	1		Pin, 3/8-16 x 2.68
51	712-3004A	1	/P	Nut, Flange Lock, 5/16-18, Gr5
52	732-0335	1		Spring, Compression,.405 x 1.17
53	732-0955	1		Spring, Compression,.50 OD x 1.41

13AP606H790 LT-946G (2006)
Drive and Rear Wheels

Page 6 of 22

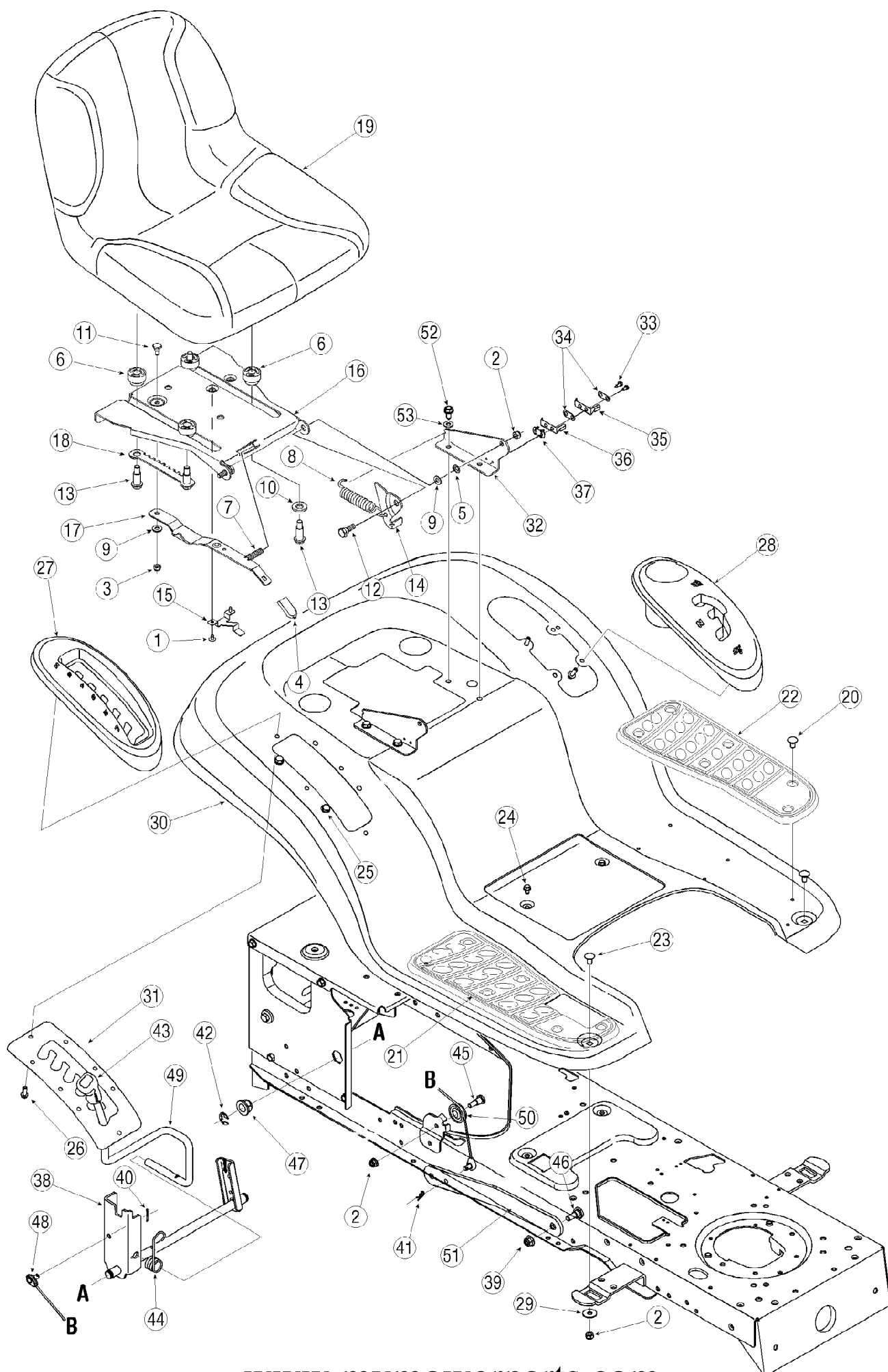
Ref #	Part Number	Qty	S/P/F	Description
54	732-0963	1		Spring, Extension,.50 OD x 6.37
55	735-0662	1		Pad
56	735-3049	1	S	Pad, Brake
57	736-0187	1	/P	Washer, Flat,.64 x 1.24 x.06, HT
58	736-0262	1	/P	Washer, Flat,.385 x.870 x.092
59	736-0300	1	S	Washer, Flat,.406 x.875 x.059
60	736-3008	1	S	Washer, Flat,.344 x.750 x.120
61	738-0155	1	S	Screw, Shoulder.437 Dia x.162
62	738-0380	1	S	Screw, Shoulder,.50 x.27 Lg
63	741-0225	1	S	Bearing, Hex Flange
64	741-3065B	1	/P	Split Bearing, Hex Flange
65	747-04093	1		Rod, Brake Lock
66	747-04096	1		Rod, Cruise Control
67	748-04039B	1	/P	Latch, Cruise Control
68	783-0732A	1	/P	Bracket, Lockout
69	783-0773A	1		Ped, Brake
70	783-04612	1	S	Bracket, Steering Support
71	618-04034	1	S	Transmission, Single Speed
72	683-04055A	1	S	Bracket Assembly, Torque
73	683-04130	1	S	Bracket, Idler
74	710-0227	1	/P	Screw, #8-18 x.50
75	710-0514	1	/P	Screw, 3/8-16, 1.00
76	710-0604A	1	/P	Screw, 5/16-18,.625
77	710-1315	1	/P	Screw, 3/8-16, 1.250
78	712-0130	1	/P	Nut, Lock, 3/8-16, Nylon
79	725-1644	1		Switch Spring, Short
80	726-0320	1	S	Plate, Insulator
81	750-04294	1		Spacer, Shoulder
82	756-04209	1	/P	Pulley, V-Type, 3.06
83	656-04015	1	S	Pulley Ass'y, Variable Speed
84	683-04129	1	S	Bracket, Pulley
85	710-0627	1	/P	Screw, 5/16-24,.750
86	710-1652	1	/P	Screw, 1/4-20,.625
87	718-04012	1	/P	Cup, Bearing
88	736-0362	1	/P	Washer, Flat
89	741-0600	1	S	Ball Bearing
90	783-04722	1		Switch Bracket, Parking Brake
91	736-0242	1	/P	Washer, Bell,.340 x.872 x.060
92	712-04065	1	/P	Nut, Flange Lock, 3/8-16, GrF
93	710-0599	1	/P	Screw, 1/4-20 x.500
94	736-0430	1	/P	Flat Washer,.350 x 1.59 x.062
95	634-0177	1	/P	Wheel Assy Comp, 20 x 10 x 8
95	734-1873	1		Tire Only 20 x 10 x 8
	634-0070	1	/P	Rim Only w/ Valve Stem
96	736-3010	1		Flat Washer, .407 x .812 x .135
97	714-0507	1	S	Pin, Cotter, 3/32 x .750
98	736-0119	1	S	Lock Washer, 5/16
99	725-3167	1		Switch
100	731-2290A	1	/P	Hub Cap



13AP606H790 LT-946G (2006)
Engine Accessories

Page 8 of 22

Ref #	Part Number	Qty	S/P/F	Description
1	710-0227	1	/P	AB Screw #8-18 x 0.5
2	710-0599	1	/P	TT Screw 1/4-20 x 0.5
3	710-0726	1	/P	AB Screw 5/16-12 x 0.5
4	783-0615D	1	S	Muffler Bracket
5	751-3142	1		Oil Drain Cap
6	710-1315	1	/P	TT Screw 3/8-16 x 1.25
7	712-3005	1	S	Flange Lock Nut, 3/8-16
8	751-3141	1	S	Oil Drain Extension Hose
9	726-0205	1	/P	Hose Clamp
10	725-0157	1	/P	Cable Tie
11	736-0300	1	S	Lock Washer, .406 x .875
12	751-3140	1	S	Oil Drain Valve
13	751-10349	1		Fuel Line Hose
14	751-0564A	1	S	Muffler Deflector
15	751-0805A	1	/P	Muffler
16	751-0645A	1	/P	Exhaust Pipe - RH
17	751-0644B	1	/P	Exhaust Pipe - LH



13AP606H790 LT-946G (2006)
Fender, Seat, Deck Assembly

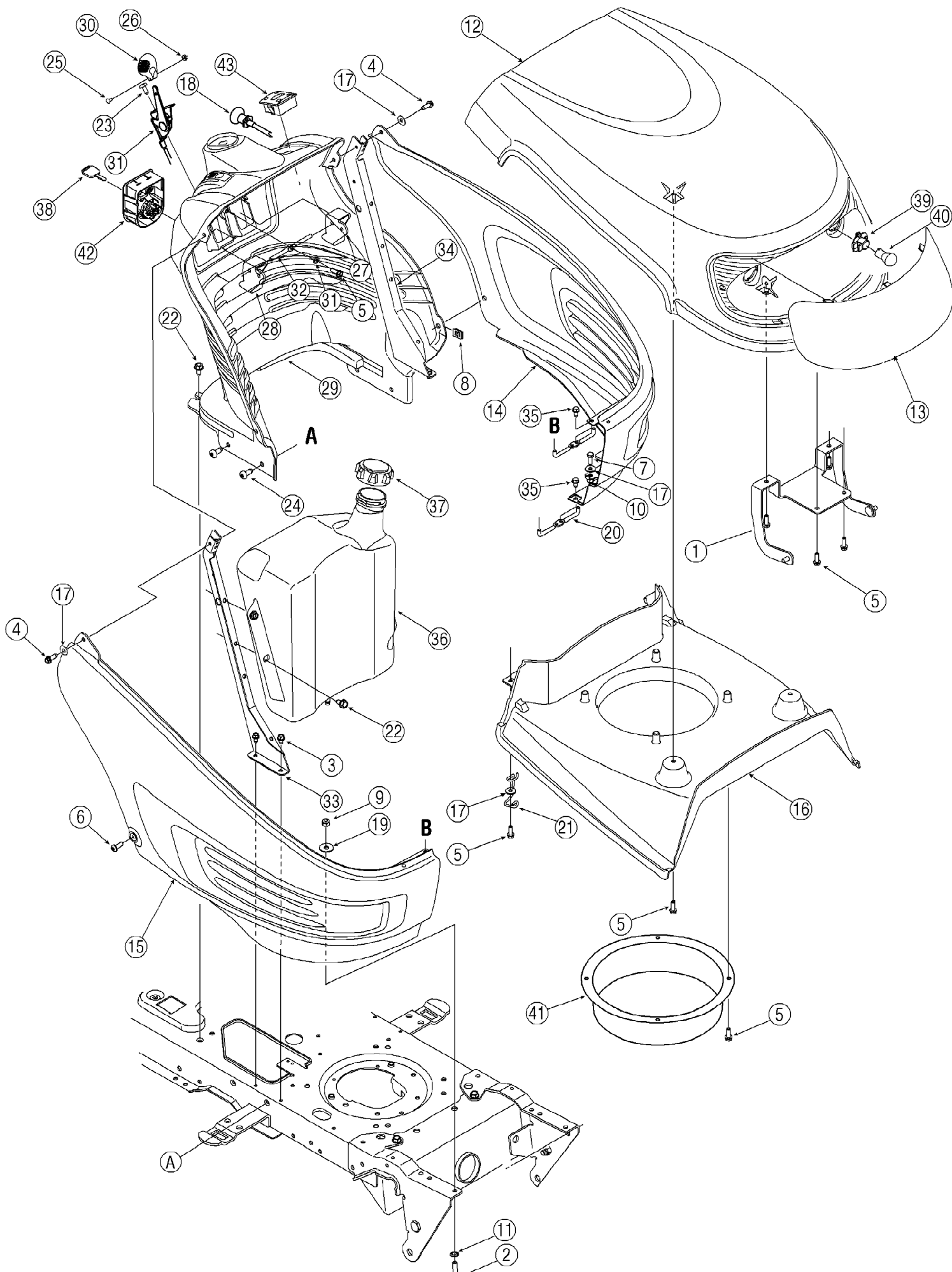
Page 10 of 22

Ref #	Part Number	Qty	S/P/F	Description
1	710-1268	1	/P	Screw, #10-16 x .375
2	712-04063	1	/P	Nut, Flange Lock, 5/16-18, GrF
3	712-3027	1	S	Nut, Flange Lock, 1/4-20
4	720-0309A	1	/P	Seat Adjuster Grip
5	726-0201	1		Nut, Speed, .3125 ID
6	731-04074	1		Spacer
7	732-0499	1		Compression Spring, .41 x 1.5
8	732-1184	1	/P	Spring, Extension, .84 Dia. X 4.6
9	736-0275	1	S	Wash, Flat, .344 x .688 x .065
10	736-3019	1		Wash, Flat, .531x 1.062 x 1.34
11	738-0137A	1	S	Screw, Shoulder, .340 x .285
12	738-0296	1	S	Screw, Shoulder, .437 x .268
13	738-0966A	1	/P	Screw, Shoulder, .50 x .925
14	783-0209D	1	/P	Seat Bracket, Lift
15	783-0611	1		Seat Stop
16	783-0738C	1	S	Seat Pivot Bracket
17	783-0739A	1	S	Seat Adjustment Lever
18	783-0753	1		Seat Adjustment Selector
19	757-04014A	1	S	Medium Back Seat, Black
20	726-3046	1	/P	Ratchet Clip
21	735-0656	1		RH Foot Pad, Rubber
22	735-0657	1		LH Foot Pad, Rubber
23	710-0451	1	/P	Bolt, Carriage, 5/16-18, .750, Gr1
24	710-0599	1	/P	Screw, 1/4-20, 0.500
25	710-0726	1	/P	Screw, 5/16-12, 0.750
26	710-0895	1		Screw, 1/4-15, 0.750
27	731-1990	1		Cover, Lift Lever
28	731-2104C	1	S	Cover, w/ Cup Holder
29	736-3078	1	/P	Washer, Flat, .344 x 1.0 x .063
30	783-04333A	1		Fender
31	783-0677B	1		Adjustment Bracket, Lift
32	783-1489A	1	/P	Mounting Bracket, Seat
33	710-0227	1	/P	Screw, #8-18 x .50
34	726-0279	1		Plate, Insulator
35	725-1303	1	S	Spring Switch, Outer
36	725-1439	1		Spring Switch, Inner
37	726-0278	1		Plate, Insulator Boss
38	753-06260	1	/P	Shaft Assembly, Lift Service Kit Replaces 683-04079
39	712-04065	1	/P	Nut, Flange Lock, 3/8-16,GrF
40	714-0104	1	S	Pin, Cotter, .072 Dia. x 1.13
41	714-0111	1	S	Pin, Cotter, 3/32, 1.0
42	716-0106A	1		Ring, E Type, .625 Dia.
43	720-0311	1		Grip, Handle, 1/2
44	732-0874	1	/P	Spring, Torsion
45	738-0138a	1	/P	Screw, 5/16-18 x .620 Gr2
46	738-0380	1	S	Screw, Shoulder, .50 x .27
47	741-0225	1	S	Bearing, Hex Flange
48	746-0968	1		Cable, Lift, 16.16
49	747-04155	1		Handle, Lift
50	756-1154	1		Pulley, Roller
51	783-0678A	1	S	Arm, Lift

13AP606H790 LT-946G (2006)
Fender, Seat, Deck Assembly

Ref #	Part Number	Qty	S/P/F	Description
52	710-0604A	1	/P	Screw, 5/16-18 x .625
53	736-0607	1	/P	Lock Washer, 5/16

13AP606H790 LT-946G (2006)
Fuel Tank, Hood Assembly

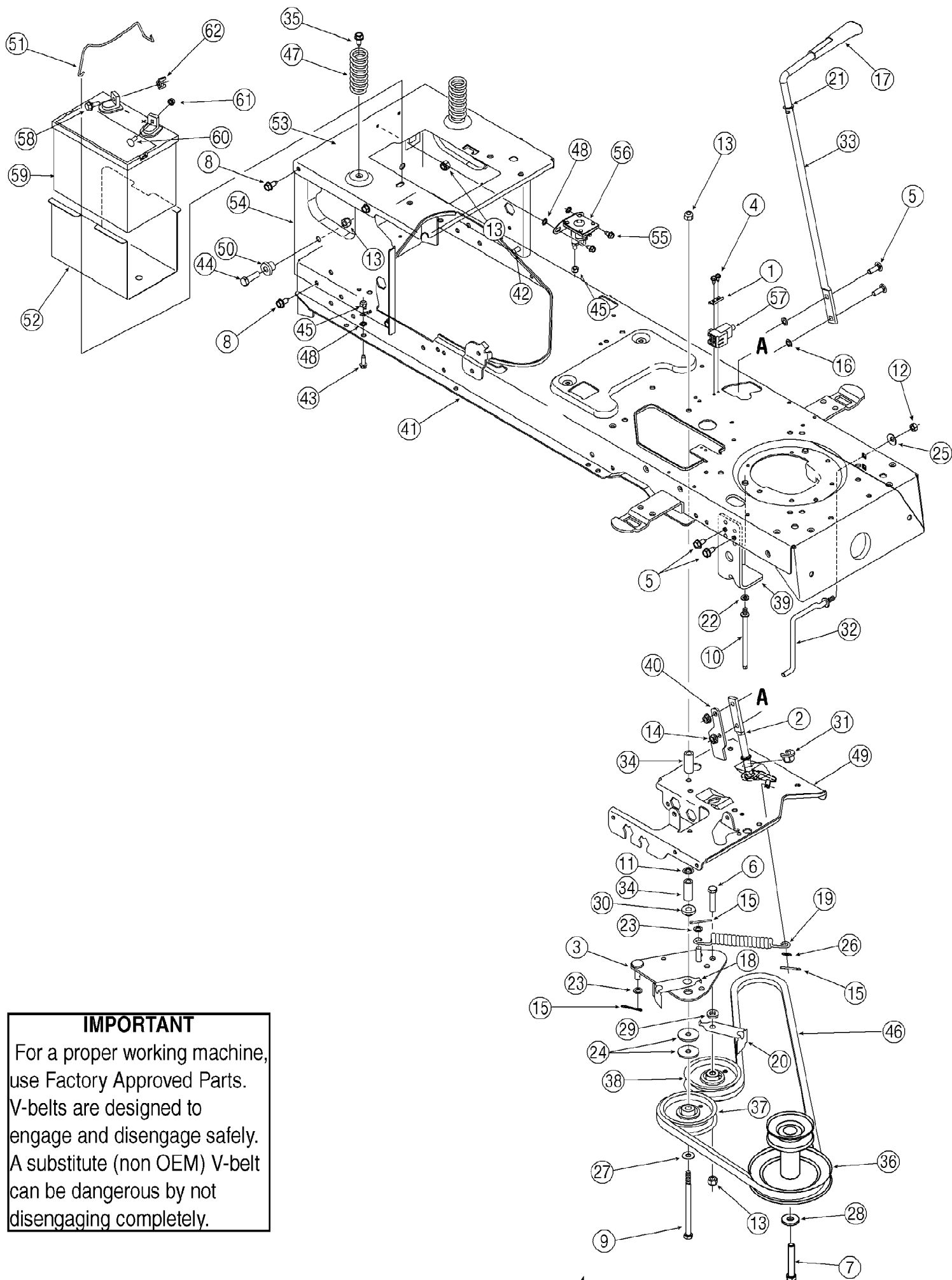


13AP606H790 LT-946G (2006)
Fuel Tank, Hood Assembly

Page 13 of 22

Ref #	Part Number	Qty	S/P/F	Description
1	683-0305	1	S	Bracket Assembly, Hood
2	710-0376	1	/P	Hex Screw, 5/16-18, 1.00, Gr5
3	710-0599	1	/P	Screw, 1/4-20, 0.500
4	710-0642	1	/P	Screw, 1/4-20, 0.750
5	710-0895	1		Screw, 1/4-15, 0.750
6	710-0924	1	/P	Screw, Machine, 1/4-20, 0.750
7	710-3015	1	/P	Hex Screw, 1/4-20, .75, Gr5
8	712-0292	1	/P	Nut, Clip, 1/4-20
9	712-04063	1	/P	Nut, Flange Lock, 5/16-18, Grf
10	712-04064	1	/P	Nut, Flange Lock, 1/4-20, Grf
11	726-0201	1		Nut, Speed, .3125 ID
12	731-2283A	1	S	Hood
13	731-2286A	1	S	Lens
14	731-2307B	1	S	Side Panel, LH
15	731-2308B	1	S	Side Panel, RH
16	731-2284	1		Plenum
17	736-0173	1	/P	Washer, Flat, .28 x .74 x .063
18	746-1085A	1	S	Choke Knob w/ Cable, 37.5"
19	736-3078	1	/P	Washer, Flat, .344 x 1.0 x .063
20	747-04301	1		Support, Side Panel
21	747-2127	1		Rod, Hood Latch
22	710-0726	1	/P	Screw, 5/16-12, 0.750
23	710-1017	1	/P	Screw, 1/4-14, 0.625
24	710-1611B	1	/P	Screw, 5/16-18, 0.750
25	710-3217	1	/P	Screw, Machine, #8-32, 0.375
26	712-0142	1	/P	Nut, Hex, #8-32
27	731-04213	1		Brake Lever
28	731-04214	1		Cruise Control Lever
29	731-05002	1		Dash Panel
30	731-1857	1		Control Knob
31	746-1100	1	S	Throttle Cable
32	747-1155	1		Rod, Brake / Cruise Pivot
33	783-04908	1	S	Support Plate, Dash, RH
34	783-04909	1	S	Support Plate, Dash, LH
35	710-1652	1	/P	Screw, 1/4-20 x .625
36	751-0658E	1	/P	Fuel Tank, 3 Gal.
37	751-0603	1	S	Fuel Cap
38	725-1744	1	S	Key, Ignition
	725-1745	1	S	Key w/ Plastic Cover, Ignition
39	725-1649	1	S	Socket, Lamp
40	725-0963	1	S	Miniature Lamp, 12V
41	731-2234A	1	/P	Bellow
42	725-04227	1	S	Ignition Switch Module
43	725-04036B	1	S	System. Ind. Monitor w/HR. Meter
	629-04083	1	S	Headlight Wire Harness (not shown)
	725-04339	1		Tractor Wire Harness (not shown)

13AP606H790 LT-946G (2006)
PTO Drive, Battery and Frame



IMPORTANT
For a proper working machine,
use Factory Approved Parts.
V-belts are designed to
engage and disengage safely.
A substitute (non OEM) V-belt
can be dangerous by not
disengaging completely.

13AP606H790 LT-946G (2006)
PTO Drive, Battery and Frame

Page 15 of 22

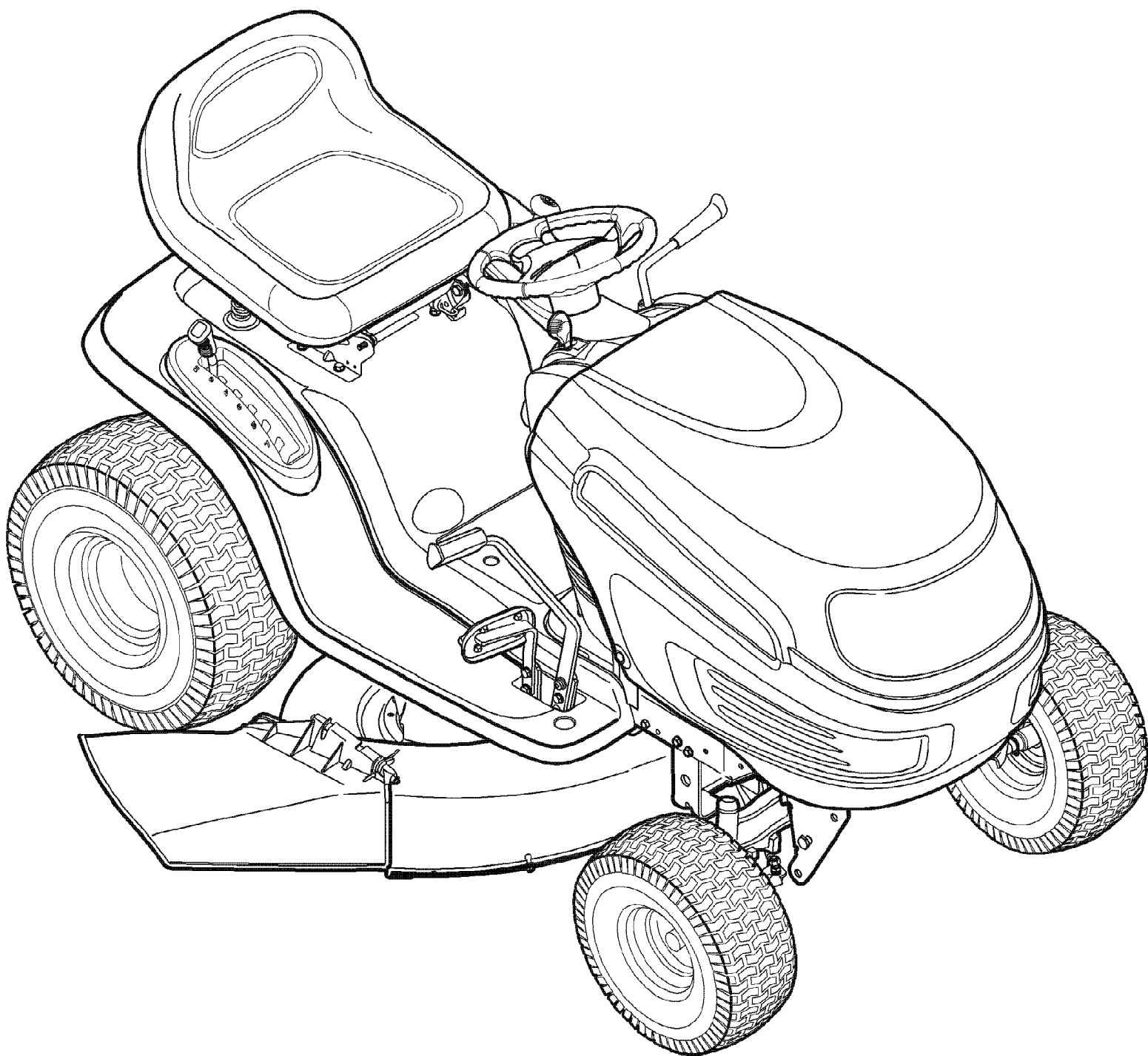
Ref #	Part Number	Qty	S/P/F	Description
1	17962	1		Plate, Switch
2	647-0064	1	/P	Lever Assembly, Engagement
3	683-0302	1	/P	Plate Assembly, Engagement
4	710-0224	1	S	Screw, #10-16, 0.500
5	710-0276	1	/P	Screw, Carriage, 5/16-18, 1.00
6	710-0347	1	/P	Screw, 3/8-16, 1.75, Gr5
7	710-04377	1		Screw, 7/16-20, 2.75, Gr5
8	710-0726	1	/P	Screw, 5/16-12, 0.750
9	710-0831	1		Screw, 3/8-16, 5.50, Gr5
10	711-1044A	1	/P	Pin, Belt Guard, 5/16 x 4.75
11	712-0229	1		Nut, Push, 3/8
12	712-04063	1	/P	Nut, Flange Lock, 5/16-18, GrF
13	712-04065	1	/P	Nut, Flange Lock, 3/8-16, GrF
14	712-3004A	1	/P	Nut, Flange Lock, 5/16-18, Gr5
15	714-0470	1	S	Pin, Cotter, 1/8 x 1.25
16	726-0201	1		Nut, Speed, .3125 ID
17	731-2111A	1	S	Knob, PTO
18	732-04245A	1		Belt Guard
19	732-0944	1		Spring, Extension, .75 OD x 6.75
20	732-1013	1		Belt Guard
21	736-0108	1	S	Washer, Flat, .510 x .750
22	736-0119	1	S	Washer, Lock, 5/16
23	736-0140	1	S	Washer, Flat, .385 x .62 x .063
24	736-0227	1	S	Washer, Flat, .390 x 1.500 x .134
25	736-0242	1	/P	Washer, Bell, .340 x .872 x .060
26	736-0275	1	S	Washer, Flat, .344 x .688 x .065
27	736-0300	1	S	Washer, Flat, .406 x .875 x .059
28	736-0322	1	/P	Washer, Flat, .450 x 1.250 x .164
29	736-3010	1		Washer, Flat, .407 x .812 x .135
30	738-0372B	1	/P	Spacer, Shldr, 1.00 x .38 x .38
31	741-0708	1		Bearing, Flange, Hex Split .500 ID
32	747-04355	1		Keeper Rod, Belt
33	747-04470	1		Engagement Handle, Deck
34	748-0415B	1	/P	Spacer, .385 ID x .635 x 1.54
35	710-1260A	1	/P	Screw, 5/16-18 x .750
36	756-04207	1	S	Pulley, Engine, 3.39 x 6.12 Dia
37	756-0487	1	/P	Pulley, Idler, V-type 5/8 x 4.0 Dia
38	756-0627D	1	/P	Pulley, Idler, 3.50 Diameter
39	783-04467	1		Stop Bracket, Deck-Up
40	783-0744A	1		Stop Bracket, Engagement
41	683-04173	1	S	Frame Assembly, Lower
42	710-0607	1	/P	Screw, 5/16-18, 0.500
43	710-0642	1	/P	Screw, 1/4-20, 0.750
44	710-3005	1	/P	Screw, 3/8-16, 1.25, Gr5
45	712-04064	1	/P	Nut, Flange Lock, 1/4-20, GrF
46	754-04064	1		V-Belt, PTO
47	732-04035	1		Spring, Compr., 1.28 OD x 3.125
48	736-0222	1	S	Washer, Lock, 1/4, External
49	783-04612	1	S	Support Bracket, Steering
50	738-04058	1		Spacer, Shoulder, .38 x 1.0
51	747-04121A	1		Hold Rod, Battery
52	783-0349	1		Battery Tray
53	783-04329A	1		Support Bracket, Frame

13AP606H790 LT-946G (2006)
PTO Drive, Battery and Frame

Page 16 of 22

Ref #	Part Number	Qty	S/P/F	Description
54	783-04809	1	/P	Frame, Upper
55	710-0599	1	/P	Screw, 1/4-20, 0.50
56	725-1426A	1	S	Solenoid, 12V, 100 Amp
57	725-04039	1	S	Switch, Interlock
58	738-1132	1		Screw, Shoulder, .250 x .150
59	725-1750A	1	S	Battery, 235 CCA
60	710-0703	1	/P	Screw, Carriage, 1/4-20, .75, Gr5
61	712-0271	1	/P	Nut, Sems, 1/4-20
62	712-3087	1	/P	Nut, Wing, 1/4-20

13AP606H790 LT-946G (2006)
Quick Reference



13AP606H790 LT-946G (2006)
Quick Reference

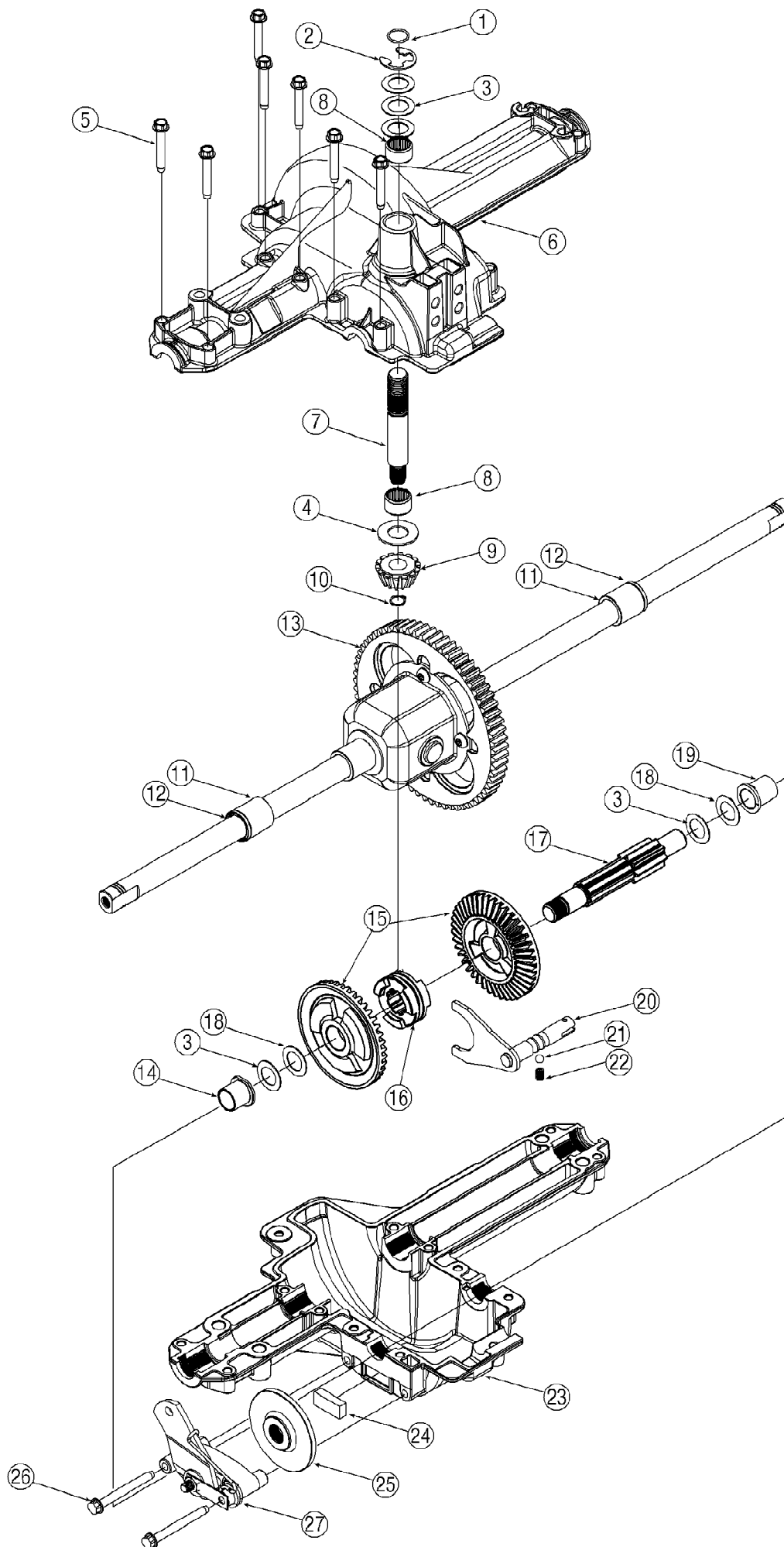
Page 18 of 22

Ref #	Part Number	Qty	S/P/F	Description
	KH-12-132-02-S	1		Spark Plug
	KH-12-050-01-S	1	/P	Oil Filter
	N/A	1		Pre Filter
	KH-32-083-03-S	1		Air Filter
	KH-25-050-22-S	1		Fuel Filter
	751-0603	1	S	Fuel Cap
	N/A	1		Fuel Solenoid
	618-0240A	1	S	Deck Spindles (Right & Center)
	618-04134B	1	S	Deck Spindles (Left)
	742-0611A	2	S	Blades (Outer)
	746-0612A	1		Blades (Center)
	712-0417A	1	/P	Blade Nut
	734-0973	1	/P	Deck Wheels
	717-1554	1		Steering Pinion Gear
	717-1550E	1	S	Steering Gear 11/90 Ratio
	725-1744	1	S	Ignition Key
	754-0468	1	S	Upper Drive Belt
	754-0467	1	S	Lower Drive Belt
	754-0349	1	S	Deck Spindle Belt
	754-04064	1		PTO Belt (Engine To Deck)
	731-1032B	1	S	Discharge Chute
	190-679-101	1		Front Bumper Attachments
	190-118-000	1		Mulch Kit Attachments
	190-823-101	1		42" Two Stage Snow Thrower Attachments
	190-833-000	1	S	46" Dozer Blade Attachments
	190-182-190	1	S	Twin Bagger Attachments
	190-032-101	1		42" Two Stage Snow Thrower Attachments

13AP606H790 LT-946G (2006)
Steering, Front Wheels, Axle

Page 20 of 22

Ref #	Part Number	Qty	S/P/F	Description
1	710-04095	1		Hex Screw, 3/8-16, 1.00, Gr5
2	710-0514	1	/P	Hex Screw, 3/8-16, 1.00, Gr5
3	710-0643	1	/P	Hex Screw, 5/16-18, 1.00, Gr5
4	711-1408	1		Link, Drag, RH
5	711-1409A	1	/P	Link, Drag, LH
6	712-0214	1	S	Nut, Hex Lock, 3/8-24
7	712-04065	1	/P	Nut, Flange Lock, 3/8-16, Grf
8	712-0459	1	/P	Nut, Flange Lock, 7/16-20
9	712-3004A	1	/P	Nut, Flange Lock, 5/16-18, Gr5
10	712-0240	1	S	Nut, Jam, 7/16-20, Gr2
11	717-1550E	1	S	Gear, Steering, 11/90 Ratio
12	717-1554	1		Gear, Pinion, Steering
13	723-0448A	1	S	Ball Joint, 7/16-20, Lock
14	736-3004	1	S	Washer, Flat, .406 x .875 x .105
15	736-3084	1	/P	Washer, Flat, .51 x 1.12 x .06
16	710-1260A	1	/P	Screw, 5/16-18, 0.750
17	738-04154	1		Spacer, Shoulder, .38 x 1.00 x .31
18	738-1001A	1	/P	Shaft, Steering, .625 OD x 24.25
19	741-0475	1	S	Plastic Bushing .380 ID
20	738-0143	1	/P	Screw, Shoulder, .498 x .340
21	783-0726E	1	/P	Pivot Bracket, Support RH
22	783-0727D	1		Pivot Bracket, Support LH
23	783-0728	1		Pivot Bracket, Bar
24	631-04008	1	S	Steering Wheel, 13.25
25	731-04065	1		Steering Wheel Cover
26	738-1011A	1	/P	Shoulder Screw, .5 x 2.2, 3/8-16
27	731-2290A	1	/P	Deluxe Hub Cap
28	736-0316	1	S	Flat Washer, .78 x 1.589 x .06
29	714-04039	1		Cotter Pin, 5/32 x 1.25
30	719-04105	1	/P	Cast Iron Pivot Bar
31	726-0341	1	/P	Push Cap
32	638-04003	1	S	LH Axle Assembly, .750
33	638-04004	1	S	RH Axle Assembly, .750
34	711-0332	1	S	Pin, Clevis, .50 x .78
35	714-04023	1	S	Cotter Pin, Internal, .080 x 1.5625
36	783-0720A	1	S	Adjustment Bracket, Front
37	741-0656A	1	S	Hex Flange Bearing
38	634-04087	1	S	Wheel Assembly Complete, 15 x 6
38	734-04040	1	S	Tire Only 15 x 6 x 6 Not Shown
38	634-04081	1	S	Rim Only w/ Valve Stem Not Shown
	741-0516B	1	/P	BRG:FLG:.760 X 1.00 X 1.20 LG Not Shown
	741-0990B	1	/P	BRG:FLG:.760 ID W/GREASE FTG Not Shown



13AP606H790 LT-946G (2006)
Transaxle

Page 22 of 22

Ref #	Part Number	Qty	S/P/F	Description
1	732-0614	1		Ring, Wire
2	716-0231	1	S	Ring, E Type,.750
3	736-0336	1	S/F	Flat Washer, 5/8 x 1.0 x.030
	736-0337	1	S/F	Flat Washer, 5/8 x 1.0 x.040
	736-0349	1	S/F	Flat Washer, 5/8 x 1.0 x.020
4	736-0335	1	S	Washer, Thrust.635 x 1.26 x .06
5	710-1325	1	/P	Self-tapping Screw, 1/4-20 x 1.625
6	719-04017	1	S	Upper Housing
7	711-1109	1		Input Shaft
8	741-0335	1	S	Needle Bearing,.625 x.813 x .495
9	717-1464	1		14-tooth Bevel Pinion
10	716-0108	1	S	Retaining Ring,.437
11	741-0340	1	S	Sleeve Bearing,.75 x 1.0 x 1.0
12	721-0338	1	S	Seal,.75 x 1.0 x.125
13	618-04041	1	S	Differential Assembly
14	741-0336	1	S	Flange Bearing, 5/8 x 3/4 x 3/4
15	717-04056	1	S	42-tooth Bevel Gear
16	718-04045	1	S	Clutch Collar
17	711-04134	1	S	Drive Shaft
18	736-0495	1	S/F	Thrust Washer, 1.0 x.632 x.0
	736-0494	1	F	Flat Washer,.632 x 1.00 x.035
19	741-0337	1	S	Flange Bearing, 5/8 x 3/4 x 15/16
20	611-0011	1	S	Detent Shaft Assembly
21	741-0862	1	/P	Detent Ball
22	732-0863	1	S	Compression Spring
23	719-04018	1	S	Lower Housing
24	717-0678	1	S	Brake Puck
25	761-0202	1		Brake Disc
26	710-1206	1	/P	Self-tapping Screw, 1/4-20 x 2.375
27	661-0001	1	S	Brake Assembly
	737-0148	1	S	Grease (19 oz.)